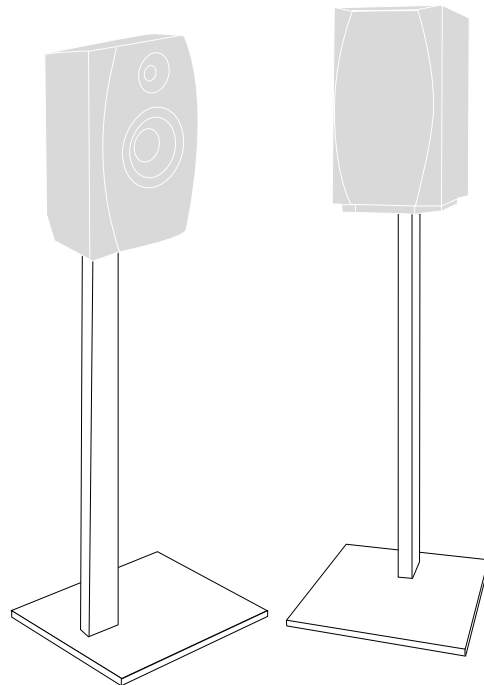




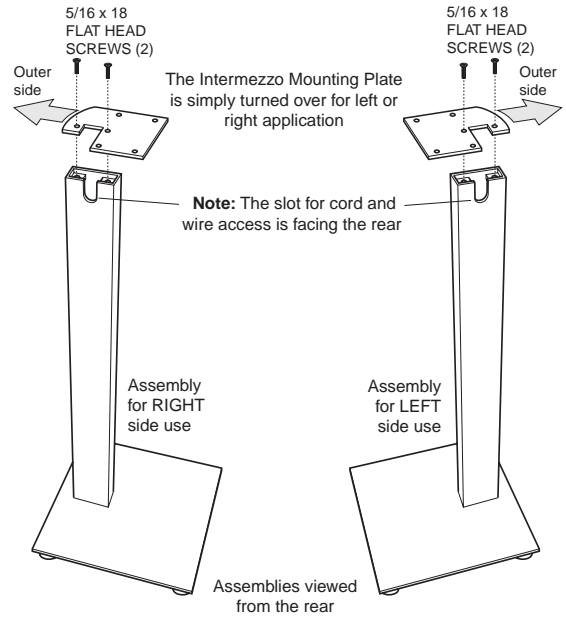
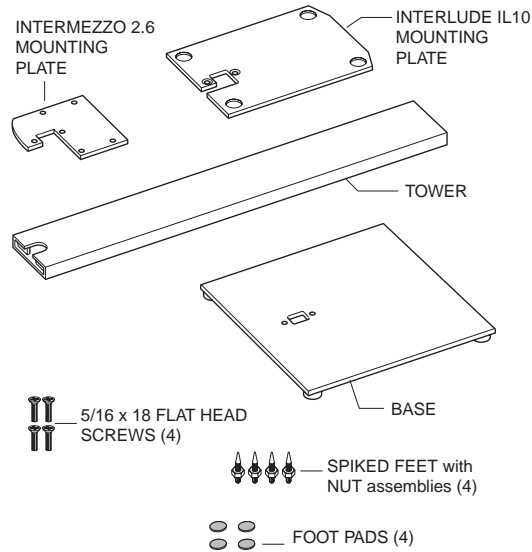
# FS-ITM/IL FLOOR STAND

## Installation Guide

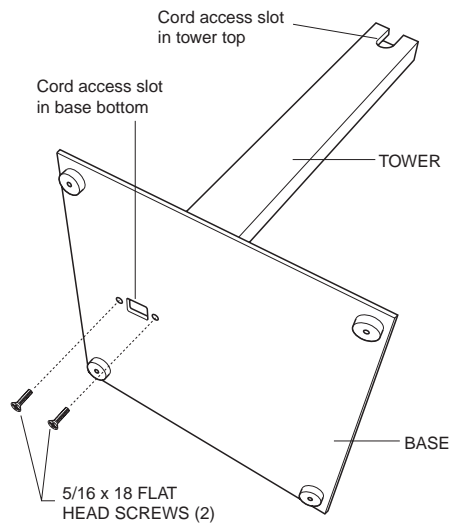
Floor Stands for  
Intermezzo™ 2.6 or  
Interlude™ IL10 Speakers



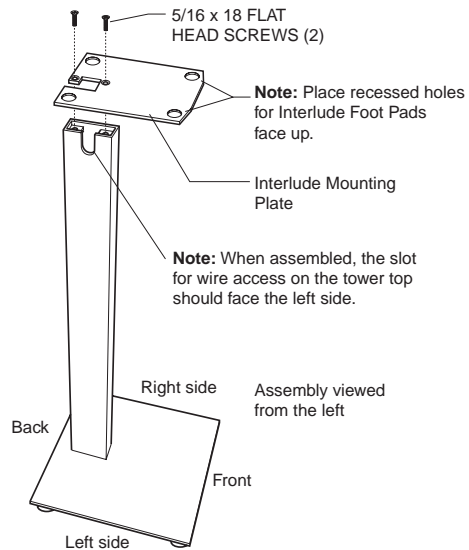
**Included** – This Infinity speaker stand is designed to be used with the Intermezzo 2.6 or Interlude IL10 speaker. Below are the pieces that are included for this speaker stand.



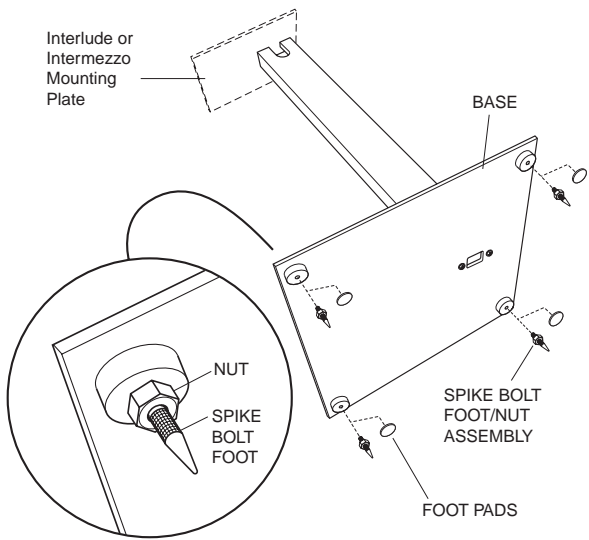
**STEP 2A** Intermezzo 2.6 – When used with Intermezzo 2.6 speakers, the rounded edge of the Mounting Plate should face the outer side of the stand assembly; the same side as the decorative side panel on the front of each Intermezzo speaker.



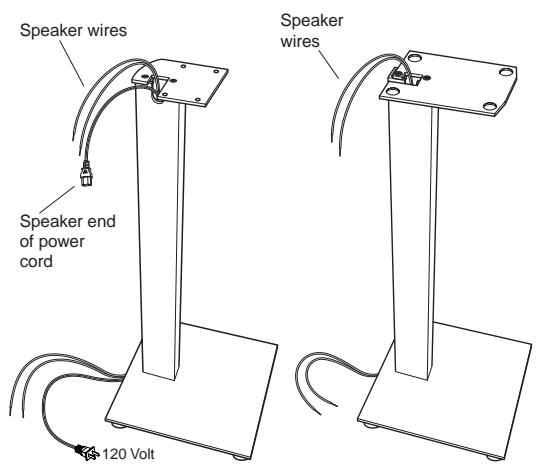
**STEP 1** Screw Tower to Base with (2) 5/16 x 18 Round Head Screws. Note that it is important which direction the slot in the Tower Top faces depending on the application desired. See Steps 2A and 2B for possible applications.



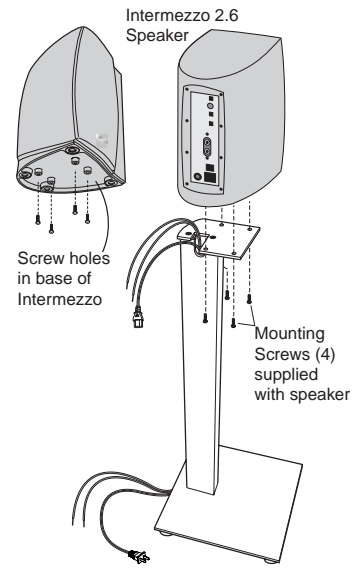
**STEP 2B** Interlude IL10 – When used with Interlude IL10 speakers, the assembly process is the same, regardless of LEFT or RIGHT placement.



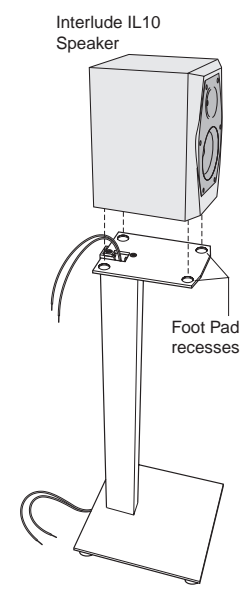
**STEP 3** The floor stand includes both spikes and felt pads. For installations on a carpet, we recommend the use of the spikes as this will provide maximum stability and acoustic isolation. For applications where there is a floor surface that may be damaged by the spikes, felt pads are also provided. The Spike Feet are comprised of a Spike Bolt and a Nut that tightens to lock the Spike Bolt in place.



**STEP 4** Insert speaker end of power cord in cord access hole in base and feed it up and out through the top. Run the speaker wires in the same manner.



**STEP 5A** Intermezzo 2.6 – Place the Intermezzo speaker on its mounting plate and secure with (4) screws (provided with the speaker).



**STEP 5B** Interlude IL10 – Place the Interlude speaker on its mounting plate and align its (4) Foot Pads with the Foot Pad recesses.

